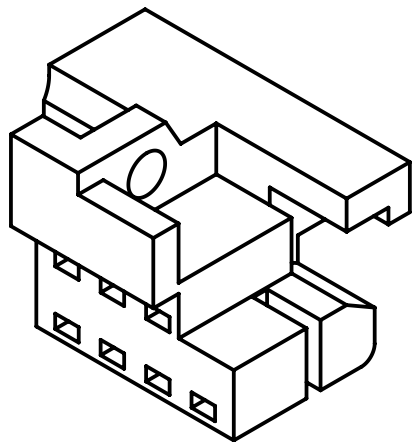



square end nut M2,5
pressed-in



| | | | | | | | |
|---|--|---|-----------------------|-----------------------------|--------------------|--|-------------|
|  | All rights reserved Department EC PD - DE | All Dimensions in mm Original Size DIN A4 | | Scale 5:1 | Free size tol. | Ref. Sub. TB 09 06 900 9997 Mod. 32647 12.07.2005 | |
| | | Created by HAGEMEYERE | Inspected by TADJE | Standardisation HOFFMANN | Date 2014-04-30 | State Final Release | |
| HARTING Electronics GmbH D-32339 Espelkamp | | Title DIN Power fixing bracket BL20 with coding metallised | | | | Doc-Key / ECM-Nr. 100072732/UGD/008/B 500000070427 | |
| | | Type TB | Number 09069009997 | | | Rev. B | Page 1/1 |